

TECH SPECS

PERFORMANCE SPECIFICATIONS

Frequency Response (-10 dB)	65 Hz - 20 kHz
Horizontal Dispersion	90°
Vertical Dispersion	22.5°
Operating Configuration	Bi-amplified
Impedance Midrange (Nom.)	8 Ω
Impedance High (Nom.)	8 Ω
Watt AES Midrange (continuous / peak)	500 W / 2000 W
Watt AES High (continuous / peak)	120 W / 480 W
Maximum SPL Output*	139 dB SPL

*calculated using a +12 dB crest factor signal (AES 2012)

PHYSICAL

Component Midrange	2 x 8" NdFeB midwoofer
Component High	1 x 3" diaphragm NdFeB compression driver (1.4" exit)
Midrange Loading	Partially horn, bass-reflex
High Loading	Proprietary waveguide
Connectors	2 x NL4 speakON
Cabinet Material	Baltic birch plywood
Cabinet Finish	Black polyurea coated
Grille	Epoxy powder coated
Rigging	10 x M10 threaded points
Height	309 mm - 12 1/8"
Width	700 mm - 27 4/8"
Depth	500 mm - 19 5/8"
Weight	21.5 kg - 47.4 lb

» World class PA system, designed for theatres and opera houses, clubs, auditoriums and houses of worship

» Constant Curvature Array

» Designed for bi-amping

» Up to 135° of vertical or horizontal coverage with just 6 elements

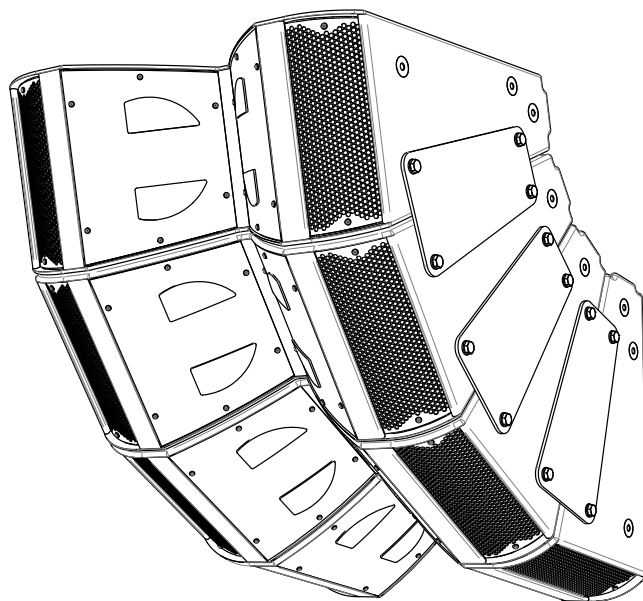
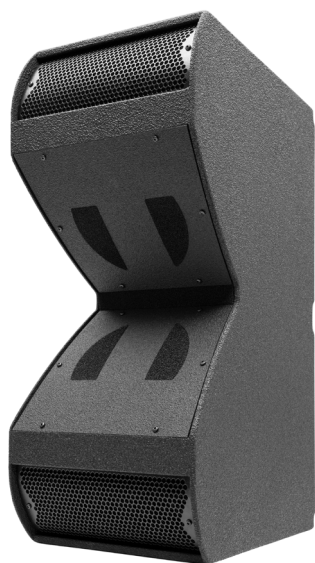
» Just 21 kg, aiding safety and easy deployment

» 139 dB SPL (Peak)

» Medium throw system that can deliver exceptional intelligibility, headroom and power

Outline SCALA 90 is a medium-throw, **Constant Curvature Array** enclosure weighing just 21 kg yet capable of a peak SPL of 139 dB.

Its usefulness is extended by its ability to be arrayed in either **vertical** or **horizontal** orientation, for example with just six cabinets providing a full **135-degree** coverage in both deployments. A single element produces a nominal dispersion of 90° x 22.5° (H x V).

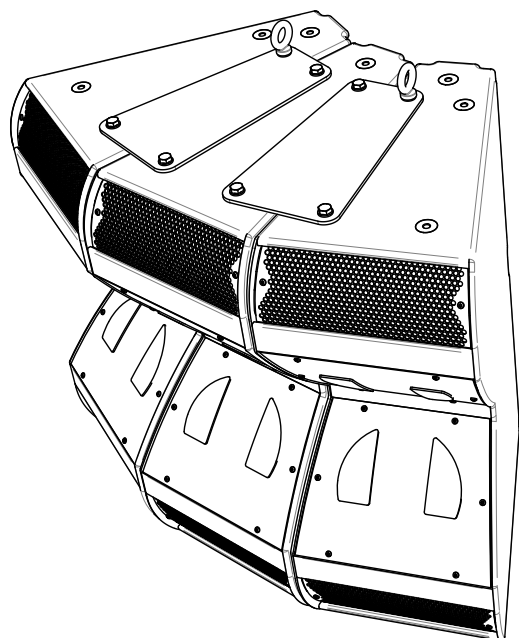


Scala 90 is designed for venues such as theaters and opera houses, clubs, auditoriums and houses of worship. The enclosure mounts two 8" partially horn-loaded mid-woofers with neodymium magnets and a 3"-diaphragm compression driver (1.4" exit) loaded on a waveguide with a unique proprietary design, ensuring the lowest possible distortion levels and greater reliability.

Scala 90 implements the **Outline V-Power concept** to specifically control the coupling between the array modules, and all the radiating surfaces of the cabinet are perfectly symmetrical. The suspension hardware is designed to be unobstructive for installations.

The cabinets are constructed from birch plywood finished with high-tech black polyurea free scratch finish and the grill has an epoxy powder coating.

Scala 90 is fitted with ten M10 threaded rigging points made of corrosion-resistant anodized aluminium alloy (Ergal) allowing suspension and safety cable attachments.



© Copyright OUTLINE - Printed in Italy | March 2021